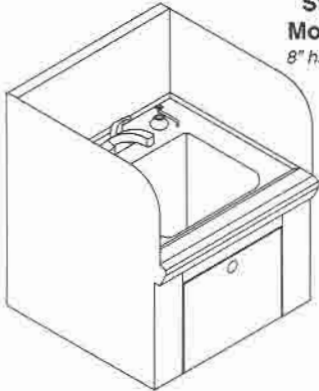
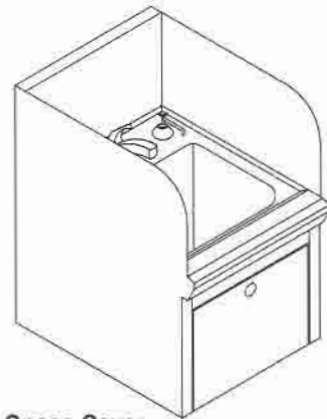
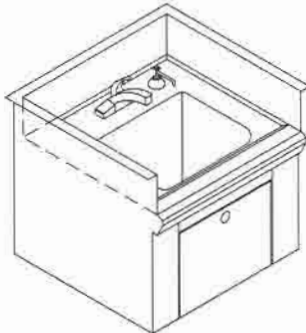
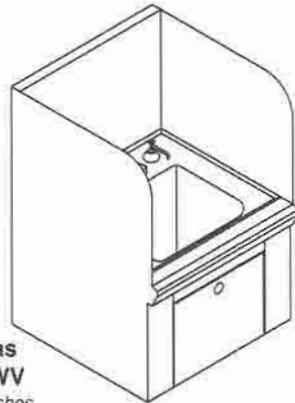


**HW MODELS****Hand Wash Sinks****Standard Model HWA**
8" high splashes**Drop-in Model HWB**
4" high splashes**Space Saver Model HWC**
8" high splashes**Las Vegas Model HWV**
12" high splashesPROJECT _____
ITEM NO. _____
QTY. _____
MODEL NO. _____

STANDARD		DROP-IN	
LENGTH	MODEL	LENGTH	MODEL
<input type="checkbox"/> 15-1/2"	HWA	<input type="checkbox"/> 15-1/2"	HWB
SPACE SAVER		LAS VEGAS	
LENGTH	MODEL	LENGTH	MODEL
<input type="checkbox"/> 13"	HWC	<input type="checkbox"/> 15-1/2"	HWV

OPTIONS

- CHG** -----Chicago faucet w/wrist blade handles
- TRP** -----"P" trap
- EF** -----electric eye faucet
- RS** -----rear s/s box spacer (specify size when ordering)
- SP1** -----splash-mounted s/s soap dispenser
- LGS** -----front leg assembly (includes two front legs w/ adjustable bullet feet)
- CB** -----cabinet base
- KV** -----knee valve
- FV** -----foot valve
- HB** -----hose bib bracket
- HBV** -----hose bib valve (w/mounting bracket)
- M** -----customized

STANDARD FEATURES

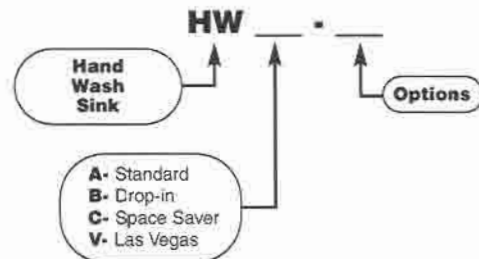
- **ALL WELDED CONSTRUCTION**
- **SUB TOP** - 18 gauge #304 series 18-8 stainless steel.
- **EXTERIOR** - exterior top, front apron, sides, back, backsplash, and bottom are 18 gauge, 304 series stainless steel.

ALL INCLUSIVE FEATURES:

- Pump action soap dispenser in rear deck
- Built-in "c-fold" towel dispenser
- ADA and health dept. approved H/C faucet
- "Z" clip and two angle brackets for attaching to wall
- Stainless steel side splashes

Model Number Guide

Use this guide to create the model specific to your needs.

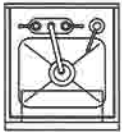




HW MODELS

Hand Wash Sinks

1'-3 1/2"

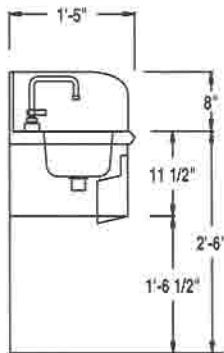


PLAN

MODEL #HWA

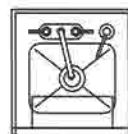


ELEVATION



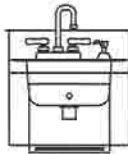
SECTION

1'-4 1/2"

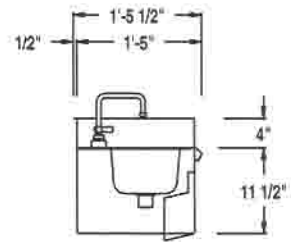


PLAN

MODEL #HWB

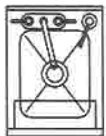


ELEVATION



SECTION

1'-1"

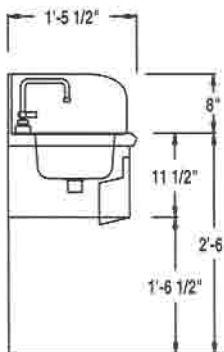


PLAN

MODEL #HWC

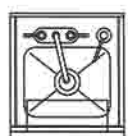


ELEVATION



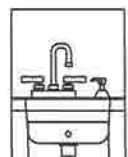
SECTION

1'-3 1/2"

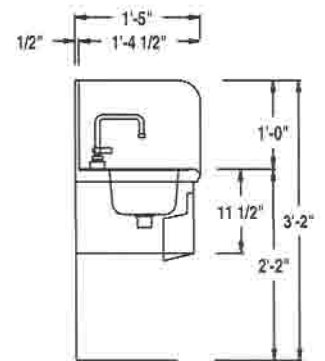


PLAN

MODEL #HWV



ELEVATION



SECTION

MODEL	OVERALL LENGTH	OVERALL DEPTH	BODY HEIGHT	SPLASH HEIGHT	BOWL SIZE	SHIP WEIGHT	CUBE
HWA	15 1/2"	17"	11 1/2"	8"	9.5x11x6D	30	4
HWB	15 1/2"	17"	11 1/2"	4"	9.5x11x6D	30	4
HWC	13"	17"	11 1/2"	8"	9.5x11x6D	30	4
HWV	15 1/2"	17"	11 1/2"	12"	9.5x11x6D	40	4

1/2" HOT & COLD CONNECTIONS
1-1/2" DRAIN