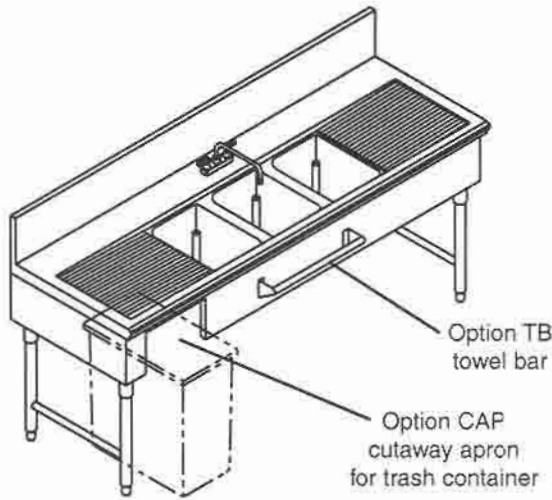




3 Bowl Glass Washing Sinks



PROJECT _____
 ITEM NO. _____
 QTY. _____

	"S" SERIES	"D" SERIES	OVERALL	DRAINBOARD LENGTH	
	20.5" DEPTH	24" DEPTH		LENGTH	LEFT
<input type="checkbox"/>	S3C-36	D3C-36	36"	0	0
<input type="checkbox"/>	S3C-60	D3C-60	60"	12"	12"
<input type="checkbox"/>	S3C-72	D3C-72	72"	18"	18"
<input type="checkbox"/>	S3C-84	D3C-84	84"	24"	24"
<input type="checkbox"/>	S3C-96	D3C-96	96"	30"	30"
<input type="checkbox"/>	S3C-108	D3C-108	108"	36"	36"
<input type="checkbox"/>	S3C-120	D3C-120	120"	42"	42"

STANDARD FEATURES

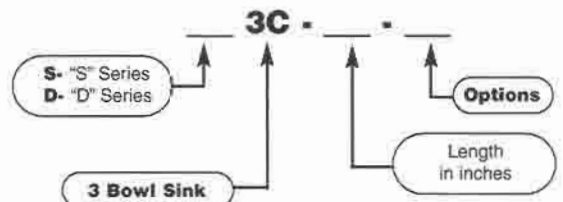
- **ALL WELDED CONSTRUCTION** - fully welded, ground and polished to form one integral unit; no screws, pop-rivets or solder.
- **DRAINBOARDS** - 18 gauge #304 series 18-8 stainless steel full-length continuous "WWW" corrugation pitches to bowls and is reinforced with 4" wide 14 gauge s/s inverted U-channels welded underneath and sound deadened.
- **SINK COMPARTMENTS** - 18 gauge deep-drawn stainless steel. Each bowl measures 10"W x 14"D x 10"H with 1-1/2" waste and stand pipe.
- **TOP** - 18 gauge #304 series 18-8 stainless steel.
- **FRONT APRON** - 18 gauge #304 series 18-8 stainless steel with access hole for plug.
- **BACK** - 18 gauge #304 series 18-8 stainless steel.
- **BOTTOM** - 18 gauge #304 series 18-8 stainless steel.
- **ENDS** - 18 gauge #304 series 18-8 stainless steel.
- **BACKSPLASH** - 18 gauge #304 series 18-8 stainless steel.
- **LEG ASSEMBLIES** - 14 gauge s/s channels with heavy-duty s/s gussets, 1-5/8" s/s tube legs and adjustable s/s bullet feet.
- **FAUCET** - Chicago H/C faucet (specify other type if needed)

OPTIONS

- CB** -----full cabinet base with removable hinged doors
- 15S** -----15" x 15" x 14" deep sink bowls
- RWC** -----rubber waste chute factory installed into front apron
- REC18** ----NSF approved 18" high trash receptacle for #RWC waste chute
- CAP** -----cut-away apron for trash container
- REC26** ----NSF approved 26" high trash receptacle for #CAP cut-away apron
- TB** -----18" wide factory installed towel bar
- PDB** -----perforated dump box for 10x14 sink
- GR20** -----glass rack storage slides on legs accomodates (3) 20x20 racks. Includes cut-away apron. (Requires 26" drainboard min.)
- GR20C** ----glass rack storage cabinet accomodates (3) 20x20 racks. Includes cut-away apron. (Requires 26" drainboard min.)
- US** -----s/s undershelf (specify location & length)
- PR** -----pre-rinse spray faucet (includes installed sleeve in top)
- BN** -----decorative polished bullnose
- M** -----customized

Model Number Guide

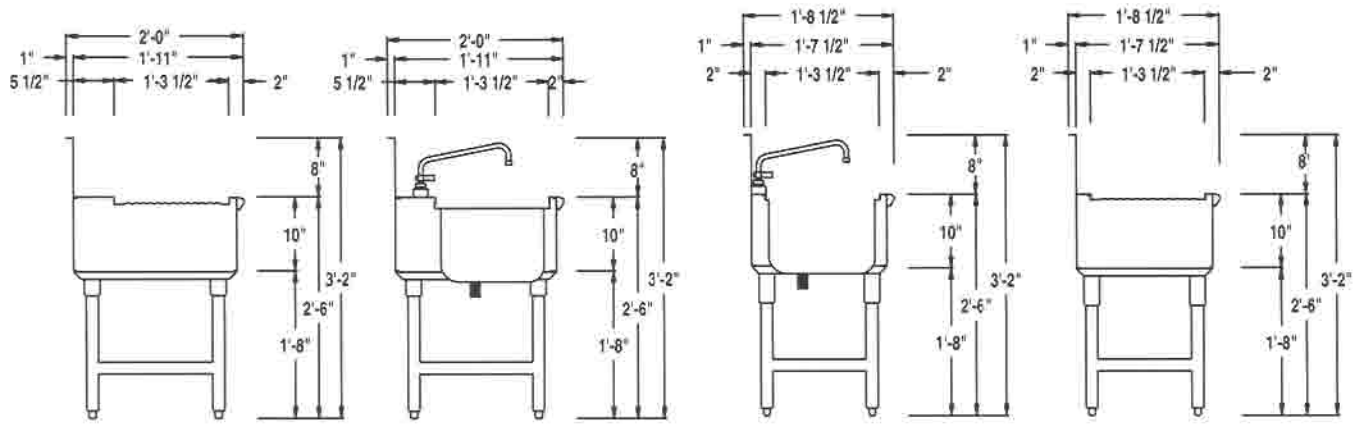
Use this guide to create the model specific to your needs.





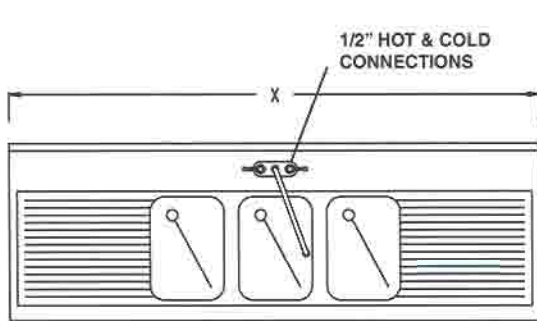
3C MODELS

3 Bowl Glass Washing Sinks

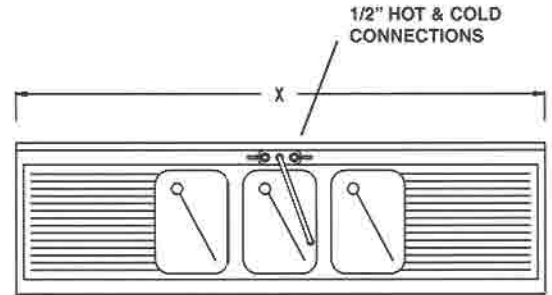


"D" SECTIONS

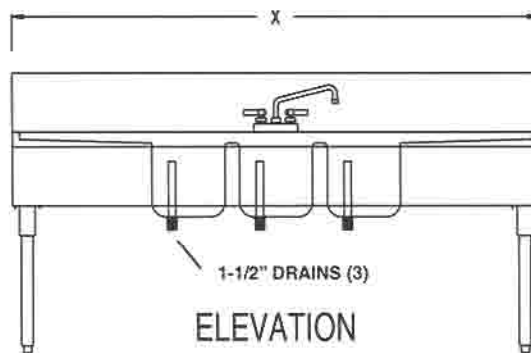
"S" SECTIONS



"D" PLAN



"S" PLAN



ELEVATION

"S" SERIES			"D" SERIES			OVERALL LENGTH	L DB LENGTH	R DB LENGTH	SHIP WEIGHT	CUBE
MODEL	SQ. INCH. DRNB.	REAR DECK	MODEL	SQ. INCH. DRNB.	REAR DECK					
S3C-36	0	2"	D3C-36	0	5-1/2"	36"	0	0	135	16
S3C-60	416	2"	D3C-60	416	5-1/2"	60"	12"	12"	155	32
S3C-72	544	2"	D3C-72	544	5-1/2"	72"	18"	18"	185	38
S3C-84	736	2"	D3C-84	736	5-1/2"	84"	24"	24"	200	44
S3C-96	464	2"	D3C-96	464	5-1/2"	96"	30"	30"	240	50
S3C-108	560	2"	D3C-108	560	5-1/2"	108"	36"	36"	285	55
S3C-120	1312	2"	D3C-120	1312	5-1/2"	120"	42"	42"	320	61