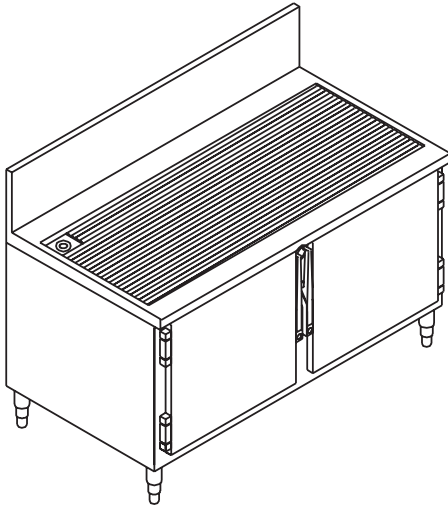


VL SERIES



UR MODELS

Underbar Refrigerators



20" high body x 22" depth

PROJECT _____

ITEM NO. _____

QTY. _____

MODEL NO. _____

LINE	REMOTE		SELF-CONTAINED	
	MODEL	LENGTH	MODEL	LENGTH
<input type="checkbox"/> VL	URR-1	25-1/2"	URS-1	37-1/2"
<input type="checkbox"/> VL	URR-2	48"	URS-2	60"
<input type="checkbox"/> VL	URR-3	72"	URS-3	84"
<input type="checkbox"/> VL	URR-4	96"	URS-4	108"

STANDARD FEATURES

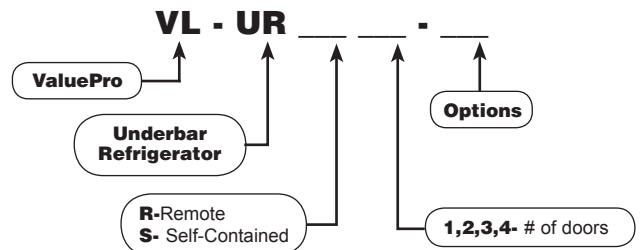
- **ALL WELDED CONSTRUCTION**
- **TOP** - 18 gauge stainless steel with or without drainboard
- **EXTERIOR FRONT & SIDES & INTERIOR** - 20 gauge #304 s/s stainless steel. Back and bottom are 18 gauge galvanized.
- **DOORS** - 18 gauge front and 20 gauge back #304 18-8 stainless steel with polyurethane shot-in-place foam insulation. Non-magnetic, high compression, long life vinyl gasket. Edge mount self-closing hinges and locking door latch.
- **DOOR PAN** - 20 gauge #304 18-8 stainless steel.
- **INSULATION** - 2" thick polyurethane shot-in-place foam (NO CFC's)
- **BREAKER STRIP** - Exclusive Foam-Locked breaker strip permanently installed without mechanical fasteners.
- **SHELVING** - Two adjustable, vinyl coated wire racks per door section.
- **SELF-CONTAINED REFRIGERATION** - R-404A fully balanced hermetic condensing unit is provided with evaporator coil, TX valve, thermostat, gravity defrost system and condensate evaporator.
- **REMOTE MODELS** - include all of the above with the exception of condensing unit and condensate evaporator pan. Expansion valve shipped loose unless pre-piped option is added.
- **LEGS** - 6" x 1-5/8" stainless steel legs with adjustable bullet feet.
- **INTERIOR LIGHTS**- pre-wired

OPTIONS

- TFS** ----- flat s/s top with backsplash
- TCS** ----- corrugated s/s top with backsplash
- TK** ----- stainless steel toe kick plate
- SBK** ----- stainless steel back
- SBT** ----- stainless steel bottom
- SSS** ----- stainless steel wire shelves
- F** ----- freezer
- RCND** ----- remote condensing unit
- EVP** ----- condensate evaporator (remote only)
- DT** ----- dual temp
- M** ----- customized
- PP** ----- Pre-piped & pre-wired. Refrigeration, plumbing and electrical will be stubbed out at required location by specifying one of the following: LE-left end, RE-right end, BL-back left, BR-back right.

Model Number Guide

Use this guide to create the model specific to your needs.

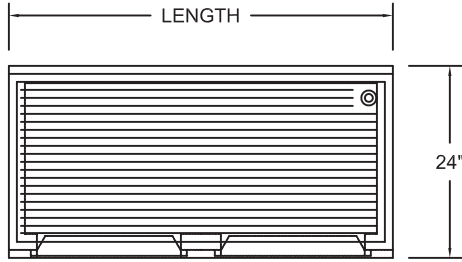


VL SERIES

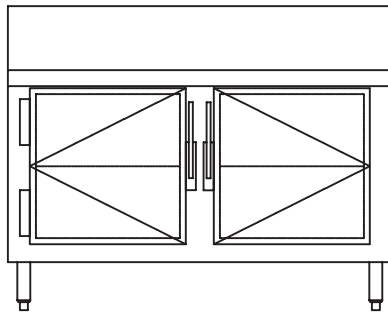


UR MODELS

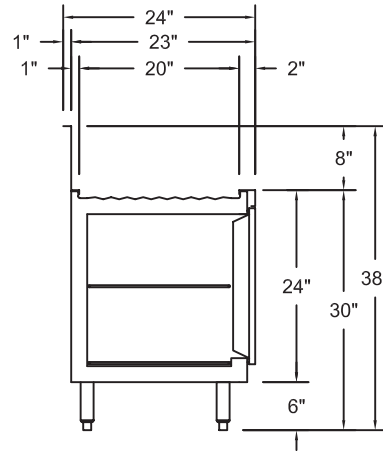
Underbar Refrigerators



PLAN



ELEVATION



SECTION

		O.A. CABINET DIMENSIONS			COMPRS.	ELECTRICAL				
	MODEL	DOORS	LENGTH	DEPTH	HEIGHT	HP.	AMPS	VOLTAGE	PHASE	BTUs
REMOTE	URR-1	1	25-1/2"	24"	20"	—	1.8	115v	SINGLE	1000
	URR-2	2	48"	24"	20"	—	2.6	115v	SINGLE	1300
	URR-3	3	72"	24"	20"	—	2.6	115v	SINGLE	1700
	URR-4	4	96"	24"	20"	—	3.4	115v	SINGLE	2300
SELF-CONT.	URS-1	1	37-1/2"	24"	20"	1/3	9.4	115v	SINGLE	—
	URS-2	2	60"	24"	20"	1/3	9.4	115v	SINGLE	—
	URS-3	3	84"	24"	20"	1/3	10.4	115v	SINGLE	—
	URS-4	4	108"	24"	20"	1/2	10.4	115v	SINGLE	—