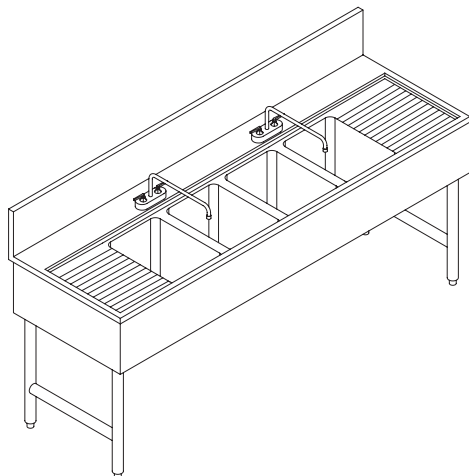


VL SERIES



4C MODELS

4 Bowl Glass Washing Sinks



PROJECT _____
 ITEM NO. _____
 QTY. _____
 MODEL NO. _____

"S" SERIES

	LINE	19 1/2" DEPTH	OVERALL LENGTH	DRAINBOARD LENGTH	
				LEFT	RIGHT
<input type="checkbox"/>	VL	S4C-72	72"	12"	12"
<input type="checkbox"/>	VL	S4C-84	84"	18"	18"
<input type="checkbox"/>	VL	S4C-96	96"	24"	24"
<input type="checkbox"/>	VL	S4C-108	108"	30"	30"
<input type="checkbox"/>	VL	S4C-120	120"	36"	36"

"D" SERIES

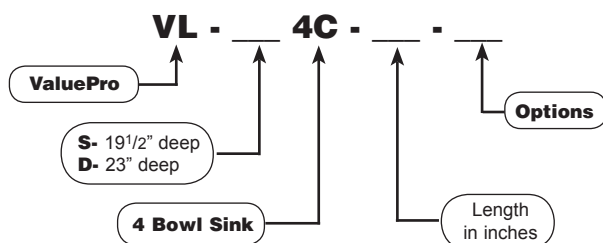
	LINE	23" DEPTH	OVERALL LENGTH	DRAINBOARD LENGTH	
				LEFT	RIGHT
<input type="checkbox"/>	VL	D4C-72	72"	12"	12"
<input type="checkbox"/>	VL	D4C-84	84"	18"	18"
<input type="checkbox"/>	VL	D4C-96	96"	24"	24"
<input type="checkbox"/>	VL	D4C-108	108"	30"	30"
<input type="checkbox"/>	VL	D4C-120	120"	36"	36"

STANDARD FEATURES

- **ALL WELDED CONSTRUCTION** - fully welded, ground and polished to form one integral unit; no screws, pop-rivets or solder.
- **DRAINBOARDS** - 18 gauge #304 series stainless steel full-length continuous "WWW" corrugation pitches to bowls.
- **SINK COMPARTMENTS** - 18 gauge deep-drawn stainless steel. Each bowl measures 10"W x 14"D x 10"H with 1-1/2" waste and stand pipe.
- **FAUCET** - Quality hot/cold faucet
- **TOP** - 18 ga. #304 series, stainless steel.
- **FRONT APRON** - 20 ga. #304 series, stainless steel.
- **BACK** 20 ga. #304 series, stainless steel.
- **BOTTOM** 20 ga. #304 series, stainless steel.
- **ENDS** 20 ga. #304 series, stainless steel.
- **BACKSPLASH** - 18 ga. #304 series, stainless steel.
- **LEG ASSEMBLIES** - 14 gauge s/s channels with 1-5/8" s/s tube legs and adjustable s/s bullet feet.

Model Number Guide

Use this guide to create the model specific to your needs.



OPTIONS

- CB**-----full cabinet base with removable hinged door
- RWC** ----- rubber waste chute factory installed into front apron
- REC15** ---- NSF approved 15" high trash receptacle for #RWC waste chute
- CAP** ----- cut-away apron for trash container
- REC20** ---- NSF approved 20" high trash receptacle for #CAP cut-away apron
- TB** ----- 18" wide factory installed towel bar
- PDB**----- s/s dump box strainer for 10x14 sink
- M**----- customized



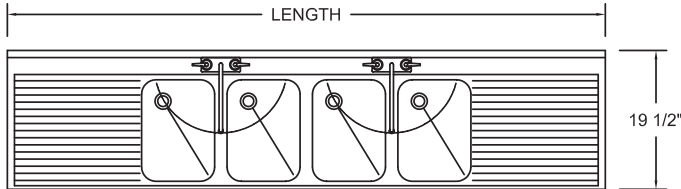
CONFORMS TO ANSI/NSF STANDARD 2

VL SERIES

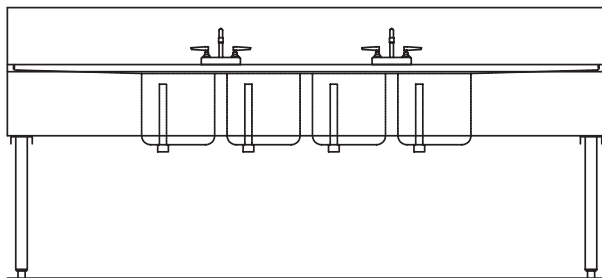


4C MODELS

4 Bowl Glass Washing Sink

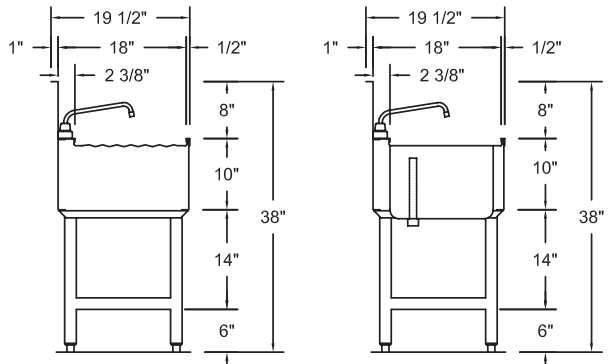


PLAN

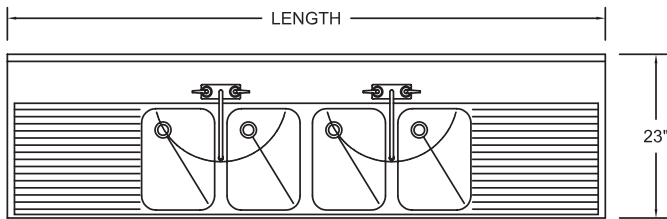


ELEVATION

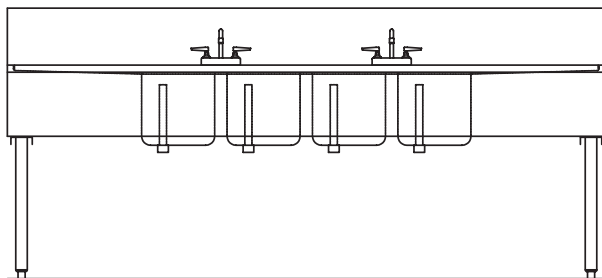
"S" SERIES 19-1/2" DEEP



SECTIONS

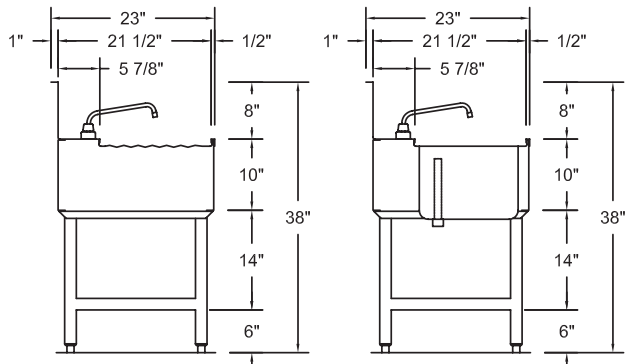


PLAN



ELEVATION

"D" SERIES 23" DEEP



SECTIONS