

VL SERIES

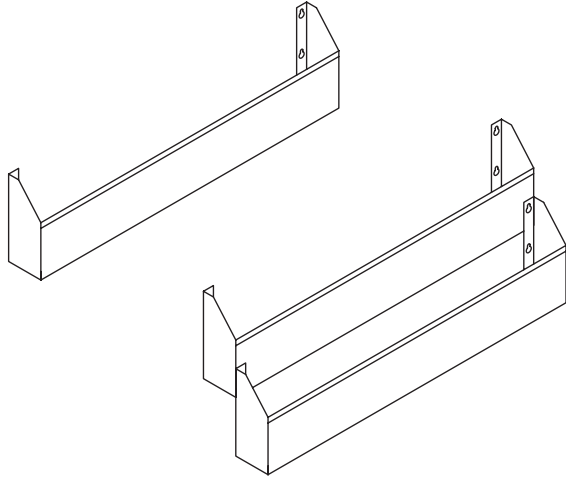


BR MODELS

Bottle Rails

with 8 circuit cold plate

PROJECT _____
 ITEM NO. _____
 QTY. _____
 MODEL NO. _____



	LINE	MODEL	LENGTH	DESCRIPTION
<input type="checkbox"/>	VL	BRS-	(XX)"	SINGLE BOTTLE RAIL
<input type="checkbox"/>	VL	BRSL-	(XX)"	SINGLE LOCKING BOTTLE RAIL
<input type="checkbox"/>	VL	BRD-	(XX)"	DOUBLE BOTTLE RAIL
<input type="checkbox"/>	VL	BRDL-	(XX)"	DOUBLE LOCKING BOTTLE RAIL

STANDARD FEATURES

- **ALL WELDED CONSTRUCTION** - fully welded, ground and polished to form one integral unit; no screws, pop-rivets or solder.
- **ALL 20 GAUGE, TYPE 204 STAINLESS STEEL**
- **REMOVABLE ON WELDED KEY-HOLE STUDS**

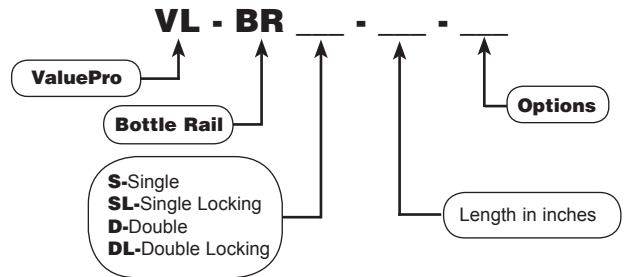


OPTIONS

- M----- customized

Model Number Guide

Use this guide to create the model specific to your needs.

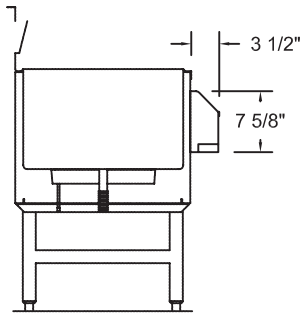


VL SERIES

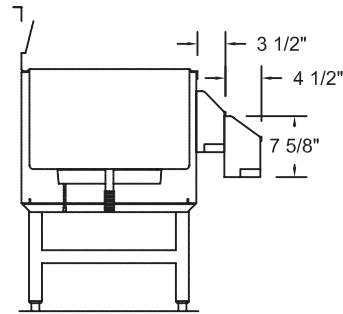


BR MODELS

Bottle Rails



VL-BRS-SECTION



VL-BRD SECTION