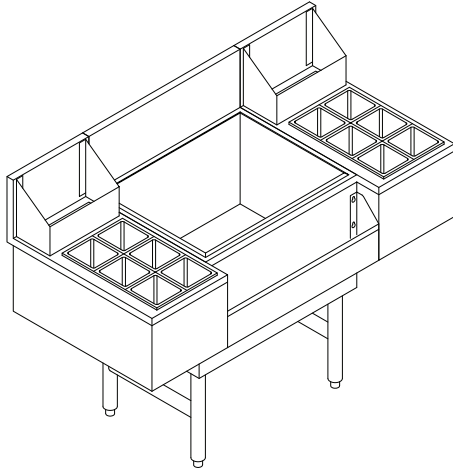


VL SERIES



CJ MODELS

Casino Jockey Stations



with 8 circuit cold plate

PROJECT _____

ITEM NO. _____

QTY. _____

MODEL NO. _____

"S" SERIES

LINE	23" DEPTH	OVERALL LENGTH	LIQUOR CHASES LEFT	LIQUOR CHASES RIGHT
<input type="checkbox"/> VL	SCJ-36P8	36"	6" X 6"	6" X 6"
<input type="checkbox"/> VL	SCJ-42P8	42"	12" X 12"	12" X 12"
<input type="checkbox"/> VL	SCJ-48P8	48"	12" X 12"	12" X 12"

ALL INCLUSIVE FEATURES

- Two bottle well boxes each with liquor line chase and removable chimney at rear for easy liquor system installation
- Jockey station ice chest with 8 circuit cold plate
- Built-in speed rail

STANDARD FEATURES

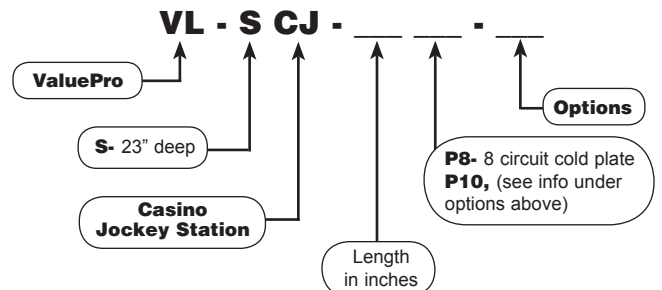
- ALL WELDED CONSTRUCTION - fully welded, ground and polished to form one integral unit; no screws, pop-rivets or solder.
- TOP - 18 ga. #304 series, stainless steel.
- FRONT APRON - 20 ga. #304 series, stainless steel.
- BACK 20 ga. #304 series, stainless steel.
- BOTTOM 20 ga. #304 series, stainless steel.
- ENDS 20 ga. #304 series, stainless steel.
- BACKSPLASH - 18 ga. #304 series, stainless steel.
- ICE CHEST LINER - 12-1/2" net deep, 18 gauge #304 series stainless steel all welded with 3/8" radius corners.
- 8 CIRCUIT FAST-FLO SEALED-IN COLD PLATE
- INSULATION - polyurethane shot-in-place foam (NO CFC's).
- BOTTLE WELL ASSEMBLIES - independent stainless steel housing with individual polypropylene bottle wells.
- ICC - sliding ice chest cover

OPTIONS

- CB----- full cabinet base with removable hinged doors
- 18X----- 18" deep ice chest
- CR-# ----- condiment rail (specify # of pans)
- P10----- 10-circuit cold plate
- PRF ----- perforated bottom plate (only in non-cold plate units)
- M----- customized

Model Number Guide

Use this guide to create the model specific to your needs.



CONFORMS TO ANS/NSF STANDARD 2

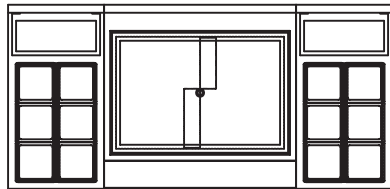
VL SERIES



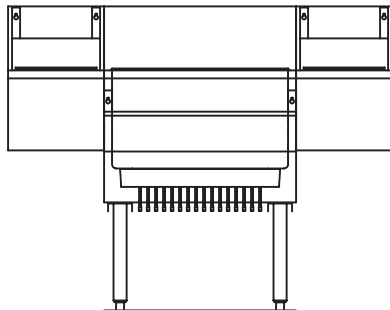
CJ MODELS

Casino Jockey Stations

with 8 circuit cold plate

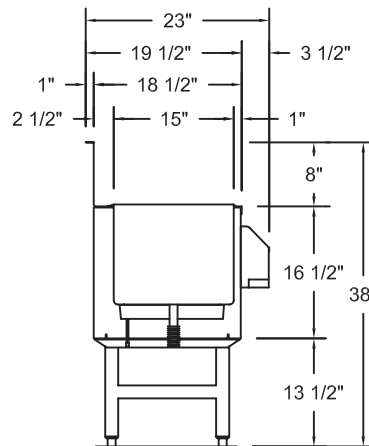


PLAN



ELEVATION

“S” SERIES 23” DEEP



SECTION