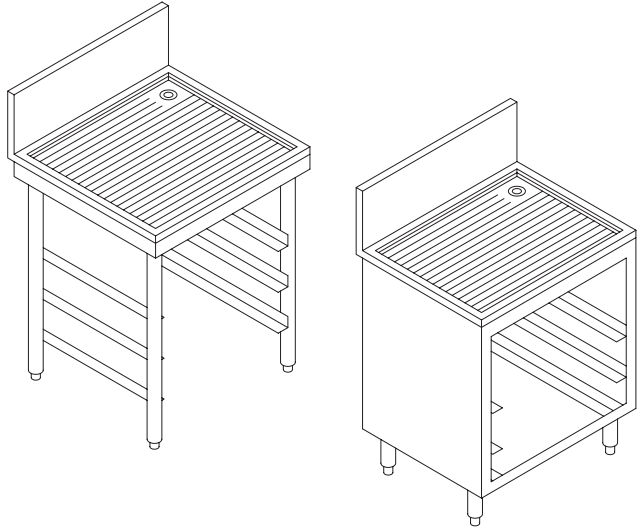


VL SERIES



DTC-GR20 MODELS

Glass Rack Storage Drainboard Worktops



PROJECT _____
 ITEM NO. _____
 QTY. _____
 MODEL NO. _____

"D" SERIES - OPEN GLASS STORAGE

LINE	23" DEPTH	LENGTH
<input type="checkbox"/> VL	DTC-24-GR20	24"

"D" SERIES - GLASS RACK CABINET

LINE	23" DEPTH	LENGTH
<input type="checkbox"/> VL	DTC-24-GR20C	24"

STANDARD FEATURES

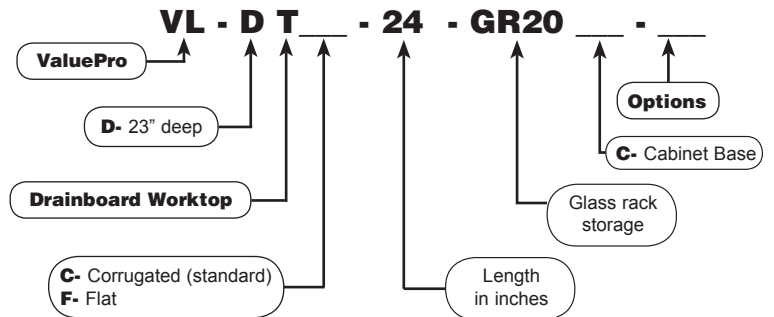
- **ALL WELDED CONSTRUCTION** - fully welded, ground and polished to form one integral unit; no screws, pop-rivets or solder.
- **CORRUGATION** - 18 gauge #304 series 18-8 stainless steel full-length continuous "WWW" corrugation pitches to 1" brass drain.
- **GR20C** - glass rack storage cabinet accomodates (3) 20x20 racks. Includes cut-away apron.
- **TOP** - 18 ga. #304 series, stainless steel.
- **FRONT** - 20 ga. #304 series, stainless steel.
- **BACK** 20 ga. #304 series, stainless steel.
- **BOTTOM** 20 ga. #304 series, stainless steel.
- **ENDS** 20 ga. #304 series, stainless steel.
- **BACKSPLASH** - 18 ga. #304 series, stainless steel.
- **LEG ASSEMBLIES** - 14 gauge s/s channels with 1-5/8" s/s tube legs and adjustable s/s bullet feet.

OPTIONS

- M**----- customized

Model Number Guide

Use this guide to create the model specific to your needs.



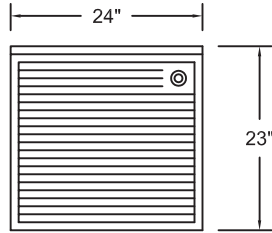
CONFORMS TO ANSI/NSF STANDARD 2

VL SERIES



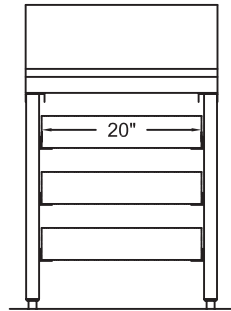
DTC-GR20 MODELS

Glass Rack Storage Drainboard Worktops

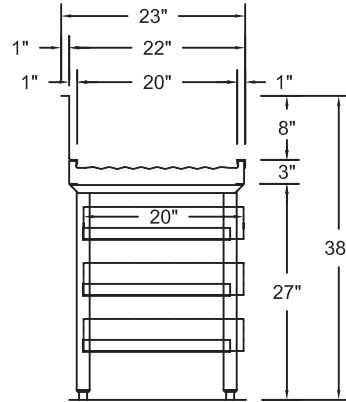


VL-DTC-24-GR20

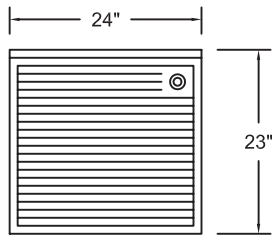
PLAN



ELEVATION

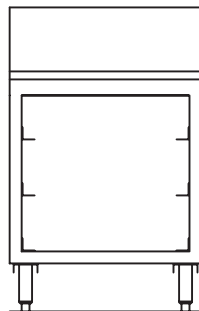


SECTION

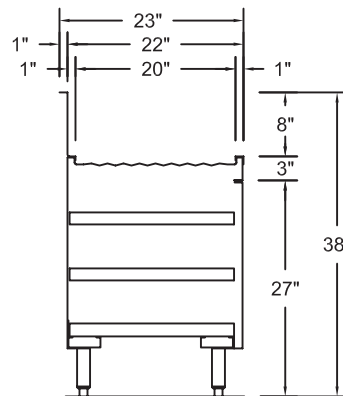


VL-DTC-24-GR20C

PLAN



ELEVATION



SECTION