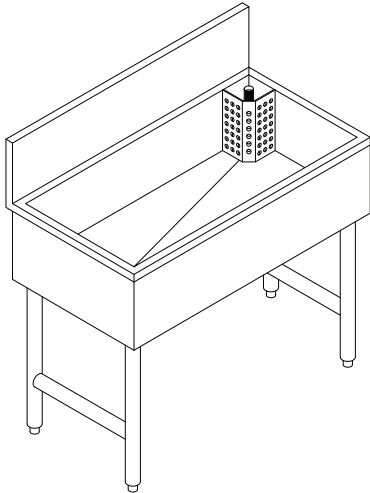


# VL SERIES



## IB MODELS

### Bottled Beer Ice Bath



PROJECT \_\_\_\_\_  
 ITEM NO. \_\_\_\_\_  
 QTY. \_\_\_\_\_  
 MODEL NO. \_\_\_\_\_

#### "S" SERIES

LINE	19 1/2" DEPTH	OVERALL LENGTH	CASES
<input type="checkbox"/> VL	SIB-24	26"	2.34
<input type="checkbox"/> VL	SIB-36	36"	3.62
<input type="checkbox"/> VL	SIB-48	48"	4.9
<input type="checkbox"/> VL	SIB-60	60"	6.2

#### "D" SERIES

LINE	19 1/2" DEPTH	OVERALL LENGTH	CASES
<input type="checkbox"/> VL	DIB-24	26"	2.9
<input type="checkbox"/> VL	DIB-36	36"	4.9
<input type="checkbox"/> VL	DIB-48	48"	6.1
<input type="checkbox"/> VL	DIB-60	60"	7.73

### STANDARD FEATURES

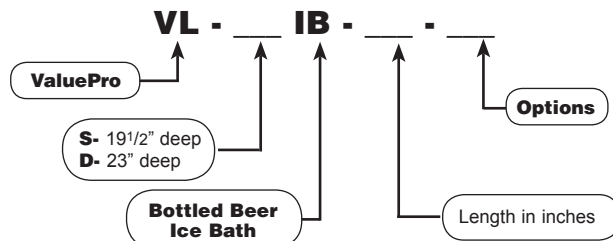
- **ALL WELDED CONSTRUCTION** - fully welded, ground and polished to form one integral unit; no screws, pop-rivets or solder.
- **TOP** - 18 ga. #304 series, stainless steel.
- **FRONT APRON** - 20 ga. #304 series, stainless steel.
- **BACK** 20 ga. #304 series, stainless steel.
- **BOTTOM** 20 ga. #304 series, stainless steel.
- **ENDS** 20 ga. #304 series, stainless steel.
- **BACKSPLASH** - 18 ga. #304 series, stainless steel.
- **ICE CHEST LINER** - 8" net deep, 18 gauge #304 series 18-8 stainless steel all welded with 3/8" radius corners and corner located overflow stand pipe.
- **INSULATION** - polyurethane shot-in-place foam (NO CFC's).

### OPTIONS

- CB**-----full cabinet base with removable hinged door
- IP**-----ice partition
- PRF**-----perforated bottom plate
- M**-----customized

#### Model Number Guide

Use this guide to create the model specific to your needs.

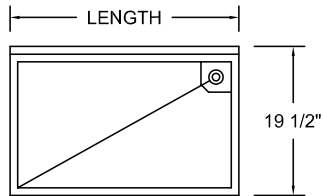


# VL SERIES

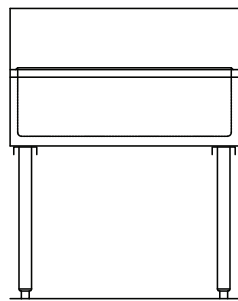


**IB MODELS**

Bottled Beer Ice Bath

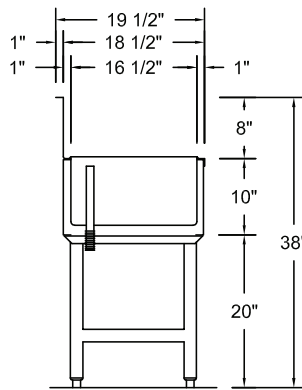


**PLAN**

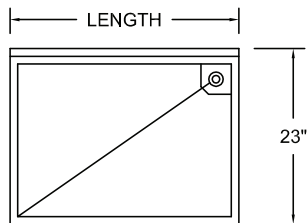


**ELEVATION**

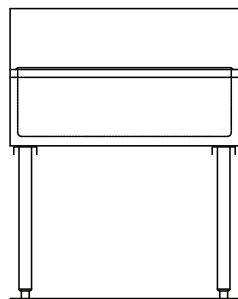
**"S" SERIES 19-1/2" DEEP**



**SECTION**

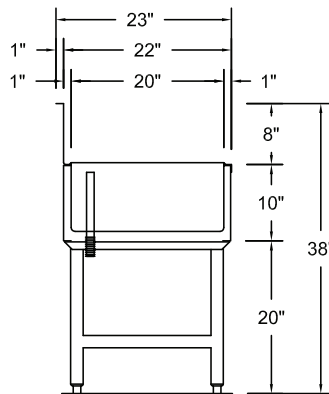


**PLAN**



**ELEVATION**

**"D" SERIES 23" DEEP**



**SECTION**