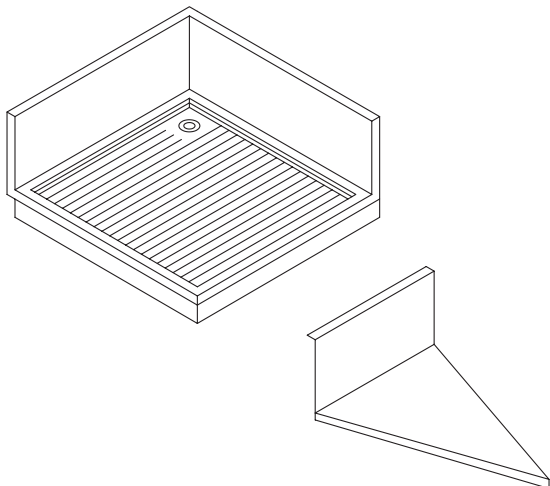


VL SERIES



IC MODELS

Corner Fillers



PROJECT _____
 ITEM NO. _____
 QTY. _____
 MODEL NO. _____

"S" SERIES 19 1/2" DEEP

	LINE	ANGLE	MODEL
<input type="checkbox"/>	VL	90°	SIC-90
<input type="checkbox"/>	VL	45°	SIC-45
<input type="checkbox"/>	VL	CUSTOM	SIC-M

"D" SERIES 23" DEEP

	LINE	ANGLE	MODEL
<input type="checkbox"/>	VL	90°	DIC-90
<input type="checkbox"/>	VL	45°	DIC-45
<input type="checkbox"/>	VL	CUSTOM	DIC-M

STANDARD FEATURES

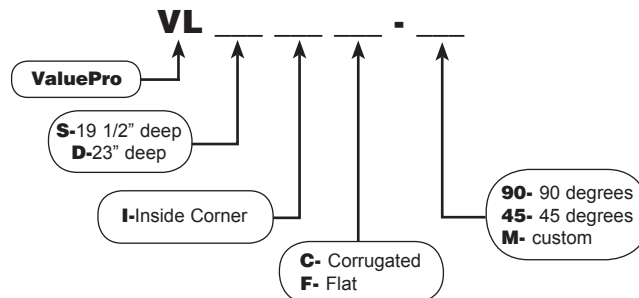
- **ALL WELDED CONSTRUCTION** - fully welded, ground and polished to form one integral unit; no screws, pop-rivets or solder.
- **TOP** - 18 ga. #304 series, stainless steel.
- **FRONT APRON** - 18 ga. #304 series, stainless steel.
- **BACKSPLASH** - 18 ga. #304 series, stainless steel.

OPTIONS

M----- customized

Model Number Guide

Use this guide to create the model specific to your needs.



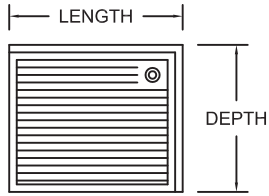
CONFORMS TO ANSI/NSF STANDARD 2

VL SERIES

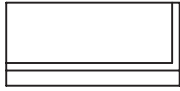


IC MODELS

Corner Fillers

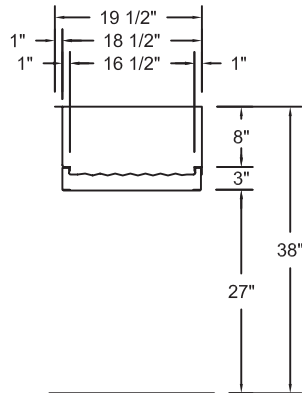


PLAN



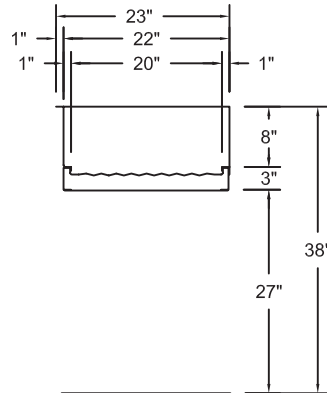
ELEVATION

S-SERIES 19-1/2" DEEP



S-SERIES SECTION

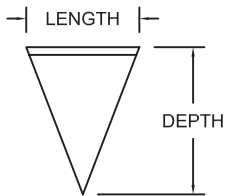
"D" SERIES 23" DEEP



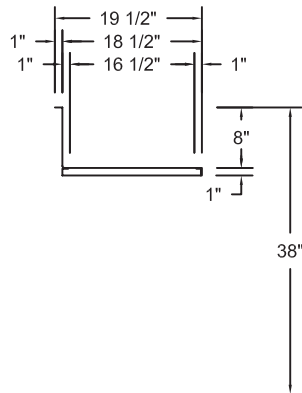
D-SERIES SECTION

S-SERIES 19-1/2" DEEP

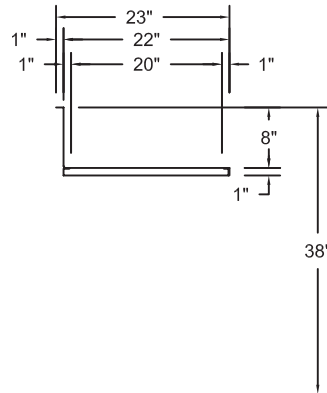
"D" SERIES 23" DEEP



PLAN



S-SERIES SECTION



D-SERIES SECTION