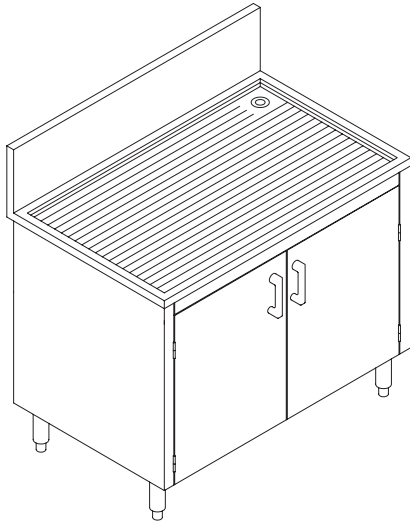


VL SERIES



LIHC MODELS

Liquor Intelligence Housing



with Drainboard Top

PROJECT _____
 ITEM NO. _____
 QTY. _____
 MODEL NO. _____

	LINE	MODEL	LENGTH	DEPTH
<input type="checkbox"/>	VL	LIHC-18	18"	23"
<input type="checkbox"/>	VL	LIHC-24	24"	23"
<input type="checkbox"/>	VL	LIHC-36	36"	23"
<input type="checkbox"/>	VL	LIHC-48	48"	23"

For housing liquor dispensing system components access chase at rear bottom

STANDARD FEATURES

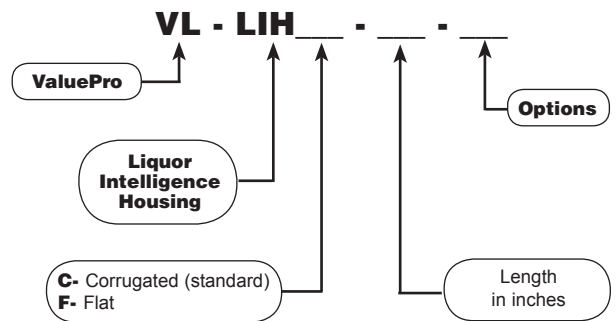
- **INTERIOR** - 3/4" marine plywood laminated with sanitation approved Kortron surface, mounted to interior back and ends for easily affixing liquor system components.
- **UTILITY ACCESS** - located at rear bottom of cabinet.
- **HINGED DOORS**
- **ALL WELDED CONSTRUCTION** - fully welded, ground and polished to form one integral unit; no screws, pop-rivets or solder.
- **CORRUGATION** - 18 gauge #304 series stainless steel full-length continuous "WWW" corrugation pitches to 1" brass drain.
- **TOP** - 18 ga. #304 series, stainless steel.
- **FRONT** - 20 ga. #304 series, stainless steel.
- **BACK** 20 ga. #304 series, stainless steel.
- **BOTTOM** 20 ga. #304 series, stainless steel.
- **ENDS** 20 ga. #304 series, stainless steel.
- **BACKSPLASH** - 18 ga. #304 series, stainless steel.
- **LEG ASSEMBLIES** - 14 gauge s/s channels with 1-5/8" s/s tube legs and adjustable s/s bullet feet.

OPTIONS

- M**----- customized

Model Number Guide

Use this guide to create the model specific to your needs.



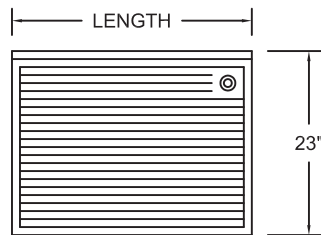
CONFORMS TO ANSI/NSF STANDARD 2

VL SERIES

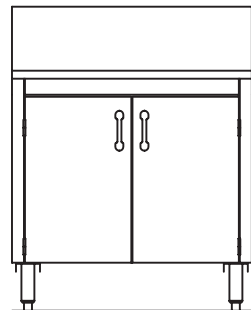


LIHC MODELS

Liquor Intelligence Housing

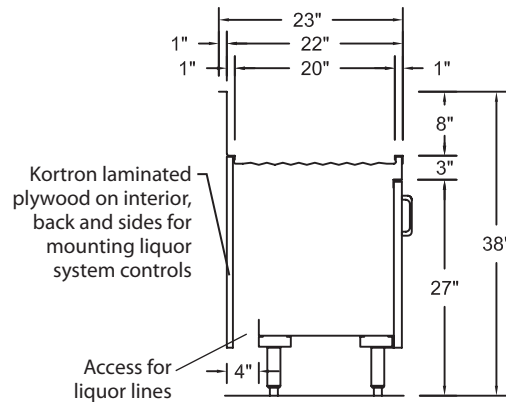


PLAN



ELEVATION

23" DEEP



SECTION