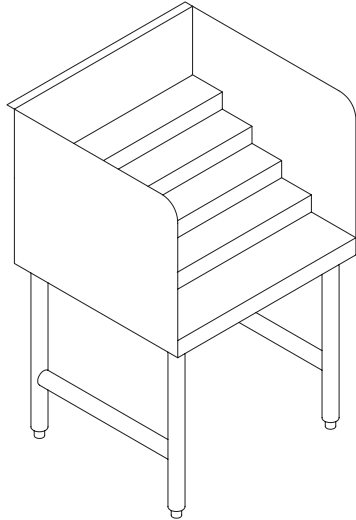


# VL SERIES



## LSW MODELS

Liquor Steps Workboard Style



PROJECT \_\_\_\_\_  
 ITEM NO. \_\_\_\_\_  
 QTY. \_\_\_\_\_  
 MODEL NO. \_\_\_\_\_

### WORKBOARD STYLE

	LINE	MODEL	LENGTH	STEPS	BOTTLE CAP.
<input type="checkbox"/>	VL	LSW-12	12"	5	18
<input type="checkbox"/>	VL	LSW-18	18"	5	26

### STANDARD FEATURES

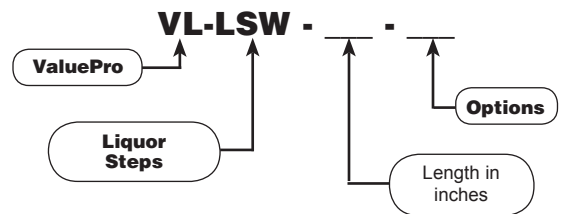
- **ALL WELDED CONSTRUCTION** - fully welded, ground and polished to form one integral unit; no screws, pop-rivets or solder.
- **LIQUOR STEPS** - 18 gauge #304 series stainless steel.
- **CBO** - Open cabinet base with intermediate and bottom shelves.
- **TOP** - 18 ga. #304 series, stainless steel.
- **FRONT** - 18 ga. #304 series, stainless steel.
- **BACK** 18 ga. #304 series, stainless steel.
- **BOTTOM** 18 ga. #304 series, stainless steel.
- **ENDS** 18 ga. #304 series, stainless steel.
- **BACKSPLASH** - 18 ga. #304 series, stainless steel.
- **LEG ASSEMBLIES** - 14 gauge s/s channels with 1-5/8" s/s tube legs and adjustable s/s bullet feet.

### OPTIONS

- M**----- customized

### Model Number Guide

Use this guide to create the model specific to your needs.



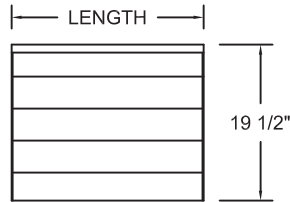
CONFORMS TO ANSI/NSF STANDARD 2

# VL SERIES

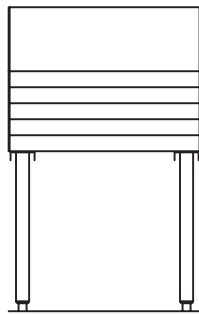


**LSW MODELS**

Liquor Steps Workboard Style

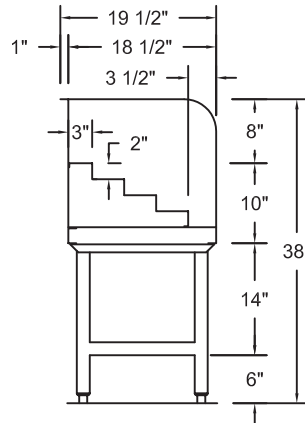


**PLAN**

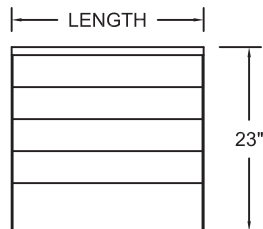


**ELEVATION**

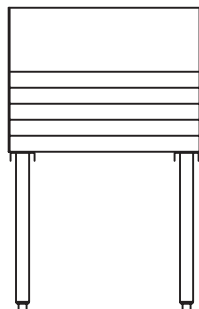
## “S” SERIES 19-1/2” DEEP



**SECTION**

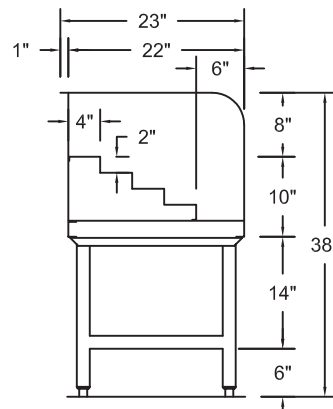


**PLAN**



**ELEVATION**

## “D” SERIES 23” DEEP



**SECTION**