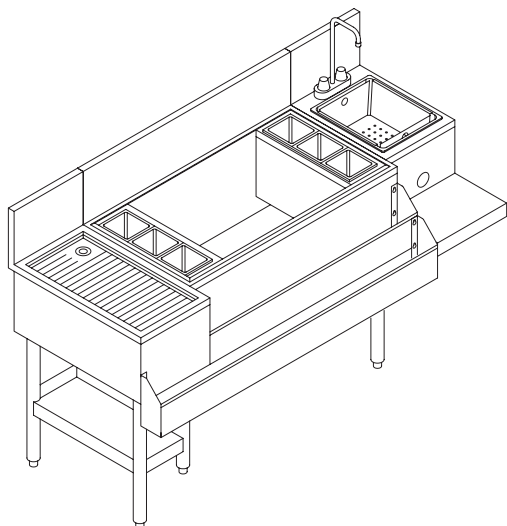


VL SERIES



RP MODELS

Rapid Pour Jockey Stations



with 8 circuit cold plate

PROJECT _____

ITEM NO. _____

QTY. _____

MODEL NO. _____

LINE	MODEL	LENGTH
<input type="checkbox"/> VL	RP-48P8	48"
<input type="checkbox"/> VL	RP-48P8	48"

For Rapid Pour less Cold Plate, drop P8 from end of model number, ex: RP-48

ALL INCLUSIVE FEATURES

- Recessed glass storage drainboard with under shelf
- Jockey station ice chest with 8 circuit cold plate
- Bottle well assemblies
- Condiment tray
- Dump sink with H/C faucet
- Blender station

STANDARD FEATURES

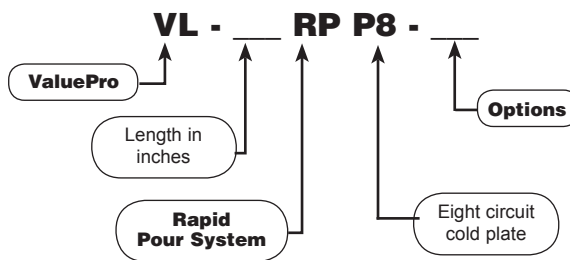
- **ALL WELDED CONSTRUCTION** - fully welded, ground and polished to form one integral unit; no screws, pop-rivets or solder.
- **TOP** - 18 ga. #304 series, stainless steel.
- **FRONT APRON** - 20 ga. #304 series, stainless steel.
- **BACK** 20 ga. #304 series, stainless steel.
- **BOTTOM** 20 ga. #304 series, stainless steel.
- **ENDS** 20 ga. #304 series, stainless steel.
- **BACKSPLASH** - 18 ga. #304 series, stainless steel.
- **ICE CHEST LINER** - 12-1/2" net deep, 18 gauge #304 series stainless steel all welded with 3/8" radius corners.
- **8 CIRCUIT FAST-FLO SEALED-IN COLD PLATE**
- **INSULATION** - polyurethane shot-in-place foam (NO CFC's).
- **BOTTLE WELL ASSEMBLIES** - independent stainless steel housing with individual polypropylene bottle wells.
- **ICC** - sliding ice chest cover

OPTIONS

- CB**----- full cabinet base with removable hinged doors
- P10**----- 10 circuit cold plate
- 18X**----- 18" deep ice chest
- IP** ----- ice partition
- PRF** ----- perforated bottom plate (only in non-cold plate units)
- M**----- customized

Model Number Guide

Use this guide to create the model specific to your needs.



CONFORMS TO ANSI/NSF STANDARD 2

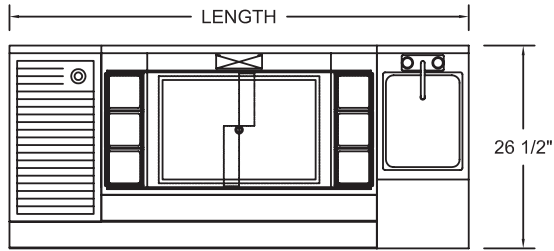
VL SERIES



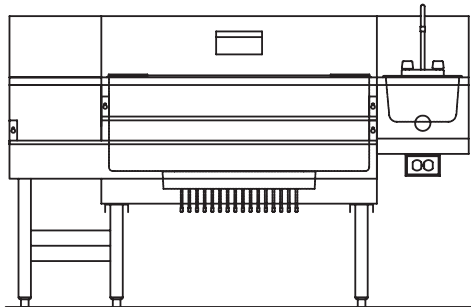
RP MODELS

Rapid Pour Jockey Stations

with 8 circuit cold plate

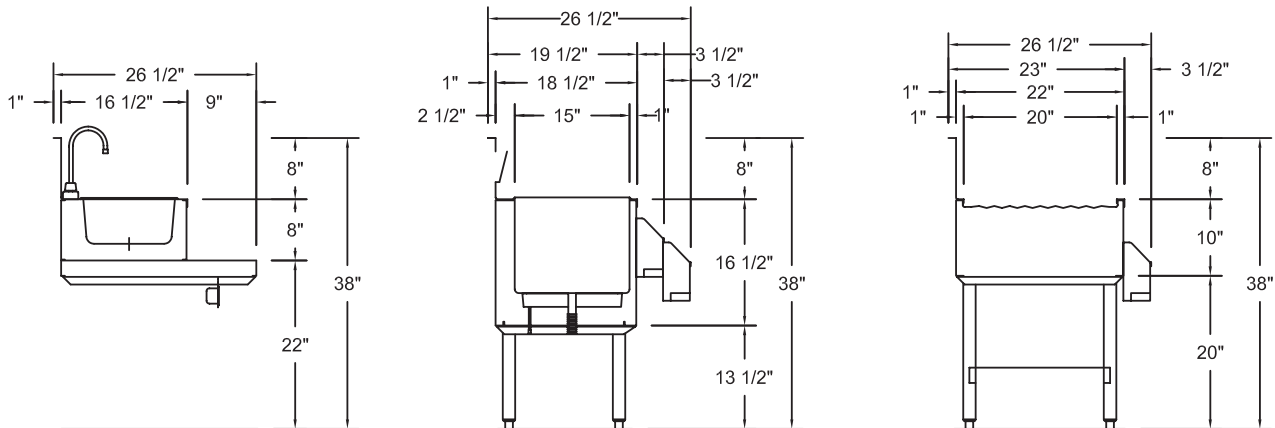


PLAN



ELEVATION

"D" SERIES 26 1/2" DEEP



SECTIONS