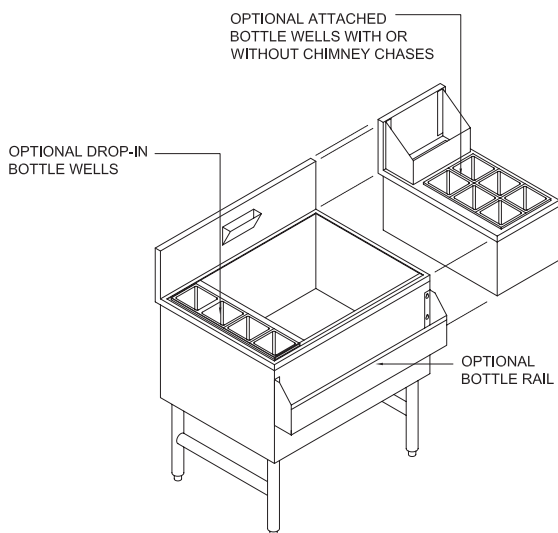


# VL SERIES



## SJ & DJ MODELS

### Jockey Station Ice Chest



with 8 circuit cold plate

PROJECT \_\_\_\_\_  
 ITEM NO. \_\_\_\_\_  
 QTY. \_\_\_\_\_  
 MODEL NO. \_\_\_\_\_

#### "S" SERIES (19 1/2" DEEP)

	LINE	MODEL	LENGTH
<input type="checkbox"/>	VL	SJ-24P8	24"
<input type="checkbox"/>	VL	SJ-30P8	30"
<input type="checkbox"/>	VL	SJ-36P8	36"
<input type="checkbox"/>	VL	SJ-42P8	42"
<input type="checkbox"/>	VL	SJ-48P8	48"

For Jockey Station less Cold Plate, drop P8 from end of model number example: SJ12-48

#### "D" SERIES (23" DEEP)

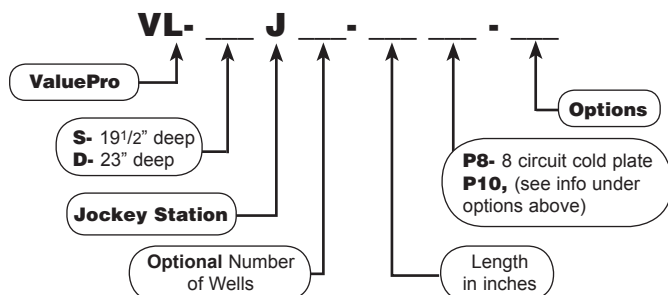
	LINE	MODEL	LENGTH
<input type="checkbox"/>	VL	DJ-24P8	24"
<input type="checkbox"/>	VL	DJ-30P8	30"
<input type="checkbox"/>	VL	DJ-36P8	36"
<input type="checkbox"/>	VL	DJ-42P8	42"
<input type="checkbox"/>	VL	DJ-48P8	48"

### STANDARD FEATURES

- **ALL WELDED CONSTRUCTION** - fully welded, ground and polished to form one integral unit; no screws, pop-rivets or solder.
- **TOP** - 18 ga. #304 series, stainless steel.
- **FRONT APRON** - 20 ga. #304 series, stainless steel.
- **BACK** 20 ga. #304 series, stainless steel.
- **BOTTOM** 20 ga. #304 series, stainless steel.
- **ENDS** 20 ga. #304 series, stainless steel.
- **BACKSPLASH** - 18 ga. #304 series, stainless steel.
- **ICE CHEST LINER** - 12-1/2" net deep, 18 gauge #304 series stainless steel all welded with 3/8" radius corners.
- **8 CIRCUIT FAST-FLO SEALED-IN COLD PLATE**
- **INSULATION** - polyurethane shot-in-place foam (NO CFC's).
- **BEVERAGE LINE ACCESS CHASE IN SPLASH**
- **ICC** - sliding ice chest cover

#### Model Number Guide

Use this guide to create the model specific to your needs.



### OPTIONS

- CB**----- full cabinet base with removable hinged doors
- 18X**----- 18" deep ice chest
- P10**----- 10 circuit cold plate
- P12**----- 12 circuit cold plate (30" & up D series)
- CR-#** ----- condiment rail (specify # of pans)
- IP** ----- ice partition
- PRF** ----- perforated bottom plate (only in non-cold plate units)
- ICC-#** ----- stainless steel sliding chest cover (# = specify width of opening in inches between bottle wells)
- BLC24**----- 24" liquor line chase in splash
- M**----- customized



CONFORMS TO ANSI/NSF STANDARD 2

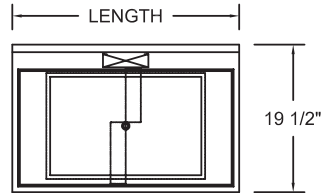
# VL SERIES



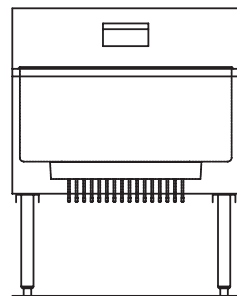
## SJ & DJ MODELS

### Jockey Station Ice Chest

with 8 circuit cold plate

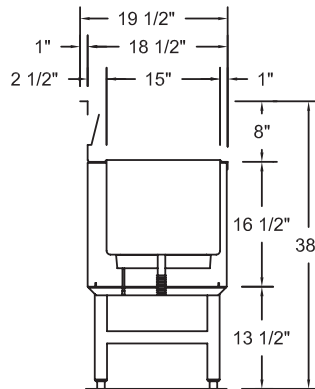


PLAN

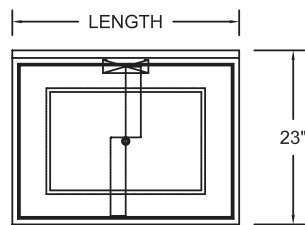


ELEVATION

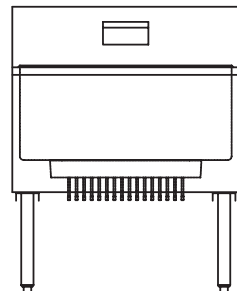
### "S" SERIES 19 1/2" DEEP



SECTION

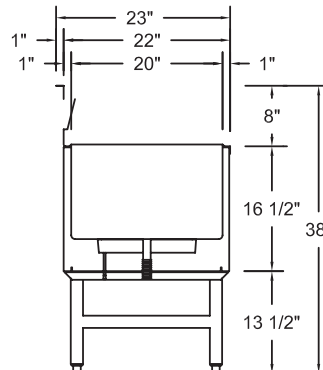


PLAN



ELEVATION

### "D" SERIES 23" DEEP



SECTION