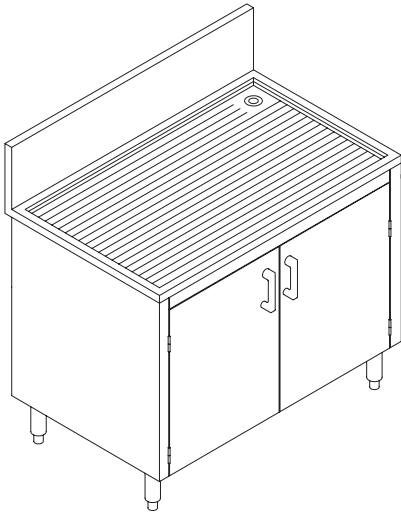


VL SERIES



TC-CBD MODELS

Drainboard Worktops Cabinet Base



PROJECT _____

ITEM NO. _____

QTY. _____

MODEL NO. _____

"S" SERIES

	LINE	19 1/2" DEPTH	LENGTH
<input type="checkbox"/>	VL	STC-12-CBD	12"
<input type="checkbox"/>	VL	STC-18-CBD	18"
<input type="checkbox"/>	VL	STC-24-CBD	24"
<input type="checkbox"/>	VL	STC-30-CBD	30"
<input type="checkbox"/>	VL	STC-36-CBD	36"
<input type="checkbox"/>	VL	STC-42-CBD	42"
<input type="checkbox"/>	VL	STC-48-CBD	48"
<input type="checkbox"/>	VL	STC-54-CBD	54"
<input type="checkbox"/>	VL	STC-60-CBD	60"

"D" SERIES

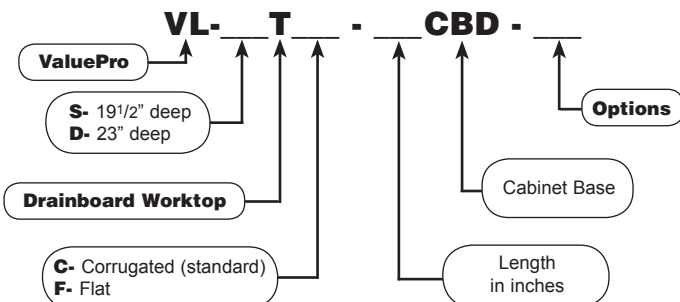
	LINE	23" DEPTH	LENGTH
<input type="checkbox"/>	VL	DTC-12-CBD	12"
<input type="checkbox"/>	VL	DTC-18-CBD	18"
<input type="checkbox"/>	VL	DTC-24-CBD	24"
<input type="checkbox"/>	VL	DTC-30-CBD	30"
<input type="checkbox"/>	VL	DTC-36-CBD	36"
<input type="checkbox"/>	VL	DTC-42-CBD	42"
<input type="checkbox"/>	VL	DTC-48-CBD	48"
<input type="checkbox"/>	VL	DTC-54-CBD	54"
<input type="checkbox"/>	VL	DTC-60-CBD	60"

STANDARD FEATURES

- **ALL WELDED CONSTRUCTION** - fully welded, ground and polished to form one integral unit; no screws, pop-rivets or solder.
- **CORRUGATION** - 18 gauge #304 series stainless steel full-length continuous "WWW" corrugation pitches to 1" brass drain.
- **CBD** - Cabinet base with removable hinged door(s) and intermediate and bottom shelves.
- **TOP** - 18 ga. #304 series, stainless steel.
- **FRONT** - 20 ga. #304 series, stainless steel.
- **BACK** 20 ga. #304 series, stainless steel.
- **BOTTOM** 20 ga. #304 series, stainless steel.
- **ENDS** 20 ga. #304 series, stainless steel.
- **BACKSPLASH** - 18 ga. #304 series, stainless steel.
- **LEG ASSEMBLIES** - 14 gauge s/s channels with heavy-duty s/s gussets, 1-5/8" s/s tube legs and adjustable s/s bullet feet.

Model Number Guide

Use this guide to create the model specific to your needs.



OPTIONS

M----- customized



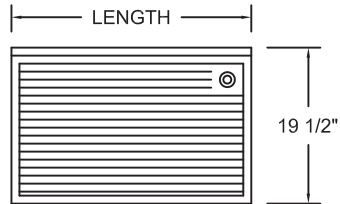
CONFORMS TO ANSI/NSF STANDARD 2

VL SERIES

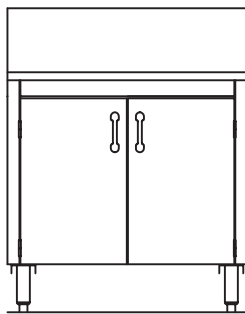


TC-CBD MODELS

Drainboard Worktops Cabinet Base

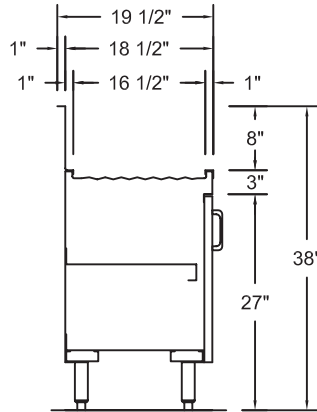


PLAN

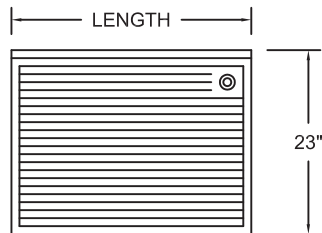


ELEVATION

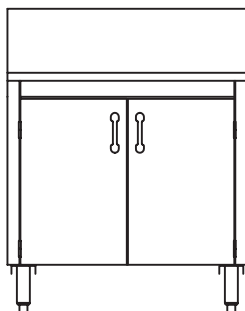
“S” SERIES 19-1/2” DEEP



SECTION

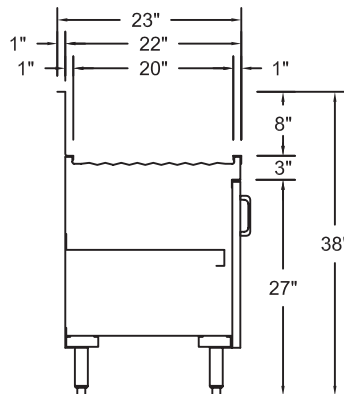


PLAN



ELEVATION

“D” SERIES 23” DEEP



SECTION