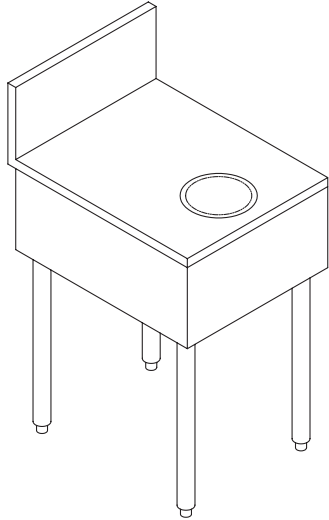


# VL SERIES



## WC1 MODELS

### Dry Waste Centers



PROJECT \_\_\_\_\_  
 ITEM NO. \_\_\_\_\_  
 QTY. \_\_\_\_\_  
 MODEL NO. \_\_\_\_\_

#### DRY WASTE CENTER

	LINE	MODEL	LENGTH	DEPTH
<input type="checkbox"/>	VL	WC1-12	12"	23"
<input type="checkbox"/>	VL	WC1-18	18"	23"

#### OPTIONS

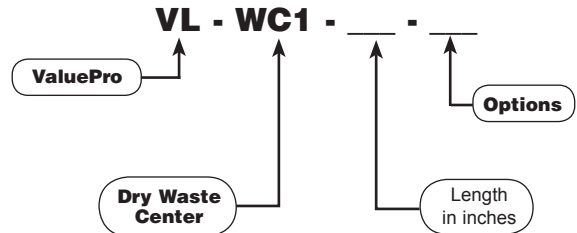
- CB**----- cabinet base with door
- M**----- customized

#### STANDARD FEATURES

- **ALL WELDED CONSTRUCTION** - fully welded, ground and polished to form one integral unit; no screws, pop-rivets or solder.
- **TOP** - 18 ga. #304 series, stainless steel.
- **BACK** 20 ga. #304 series, stainless steel.
- **BOTTOM** 20 ga. #304 series, stainless steel.
- **ENDS** 20 ga. #304 series, stainless steel.
- **BACKSPLASH** - 18 ga. #304 series, stainless steel.
- **LEG ASSEMBLIES** - 14 gauge s/s channels with 1-5/8" s/s tube legs and adjustable s/s bullet feet.
- 6" diameter waste chute in top and plastic waste receptacle.

#### Model Number Guide

Use this guide to create the model specific to your needs.



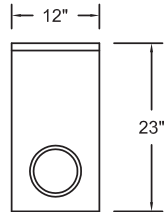
CONFORMS TO ANSI/NSF STANDARD 2

# VL SERIES



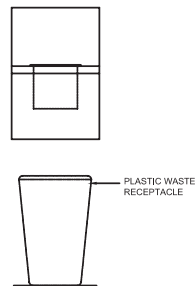
## WC1 MODELS

### Dry Waste Centers

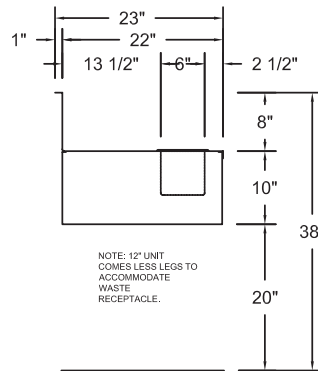


PLAN

23" DEEP

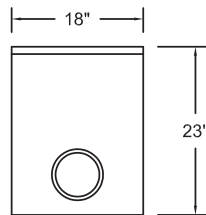


ELEVATION

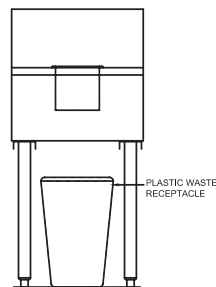


SECTIONS

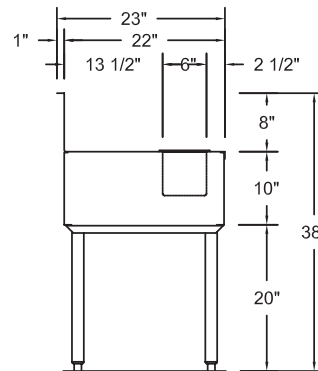
23" DEEP



PLAN



ELEVATION



SECTIONS