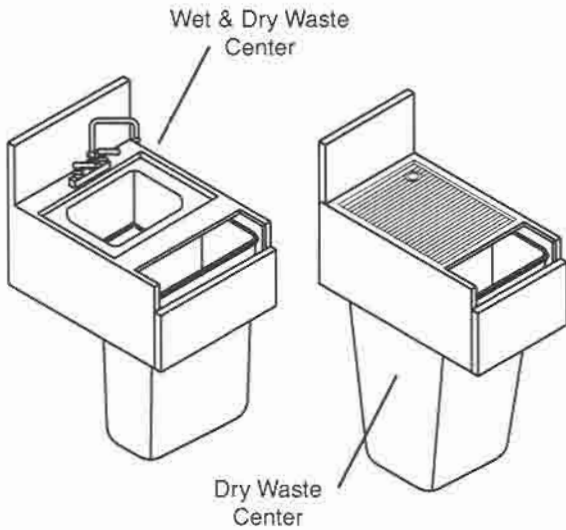




WC MODELS

Waste Centers



PROJECT _____
 ITEM NO. _____
 QTY. _____

DRY WASTE CENTER

MODEL	LENGTH	DEPTH
<input type="checkbox"/> WC1-14	14"	24"

WET & DRY WASTE CENTER

MODEL	LENGTH	DEPTH	SINK SIZE
<input type="checkbox"/> WC2-18	18"	24"	10x14x10D

OPTIONS

DRY WASTE CENTER OPTIONS

- CB -----cabinet base
- M -----customized

WET & DRY WASTE CENTER OPTIONS

- PR -----hot spray pre-rinse faucet
- D -----liquid soap dispenser installed in rear deck
- CB -----cabinet base
- M -----customized

STANDARD FEATURES

- **ALL WELDED CONSTRUCTION** - fully welded, ground and polished to form one integral unit; no screws, pop-rivets or solder.
- **TOP** - 18 gauge #304 series 18-8 stainless steel.
- **BACK** - 18 gauge #304 series 18-8 stainless steel.
- **BOTTOM** - 18 gauge #304 series 18-8 stainless steel.
- **ENDS** - 18 gauge #304 series 18-8 stainless steel.
- **BACKSPLASH** - 18 gauge #304 series 18-8 stainless steel.
- **LEG ASSEMBLIES** - 14 gauge s/s channels with heavy-duty s/s gussets, 1-5/8" s/s tube legs and adjustable s/s bullet feet.
- **DECORATIVE POLISHED BULLNOSE**

DRY WASTE CENTER FEATURES:

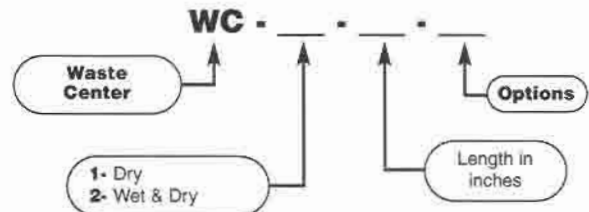
- Easy access waste chute and plastic waste receptacle.

WET & DRY WASTE CENTER FEATURES:

- Dump sink with strainer basket and faucet.
- Easy access waste chute and plastic waste receptacle.
- Hinged door to hide waste receptacle

Model Number Guide

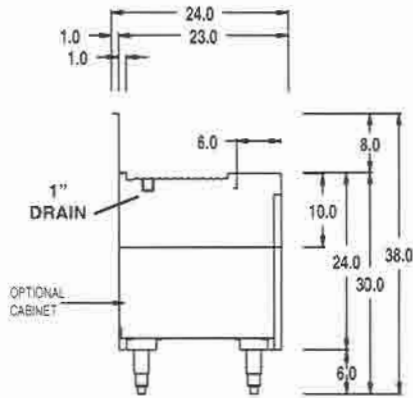
Use this guide to create the model specific to your needs.



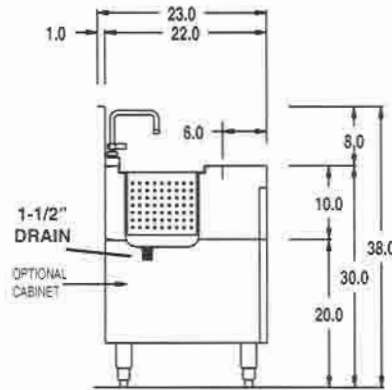


WC MODELS

Waste Centers



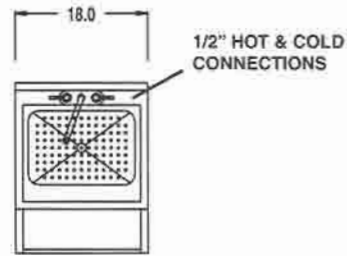
WC1-14 SECTION



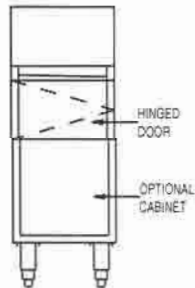
WC2-18 SECTION



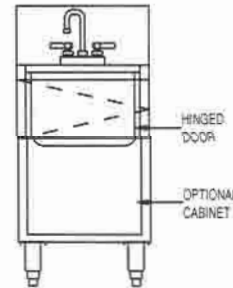
WC1-14 PLAN



WC2-18 PLAN



WC1-14 ELEVATION



WC2-18 ELEVATION

DRY WASTE CENTER			WET & DRY WASTE CENTER				SHIP	
MODEL	LENGTH	DEPTH	MODEL	LENGTH	DEPTH	SINK SIZE	WEIGHT	CUBE
WC1-14	24"	24"	WC2-14	26"	24"	10X14X10D	50	5